

Instruction and operation manual

S 320

2-channel display



Dear Customer,
thank you for choosing our product.

The operating instructions must be read in full and carefully observed before starting up the device. The manufacturer cannot be held liable for any damage which occurs as a result of non-observance or non-compliance with this manual.

Should the device be tampered with in any manner other than a procedure which is described and specified in the manual, the warranty is cancelled and the manufacturer is exempt from liability.

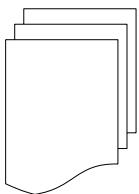
The device is destined exclusively for the described application.

CS-iTEC offers no guarantee for the suitability for any other purpose. CS-iTEC is also not liable for consequential damage resulting from the delivery, capability or use of this device.

Table of contents

1. Safety instructions.....	4
2. Application.....	6
3. Features.....	6
4. Technical Data.....	7
4.1 General.....	7
4.2 Electrical Data.....	7
4.3 Input-Signals.....	7
4.4 Output-Signals.....	7
5. Dimensional drawing.....	8
6. Installation	9
6.1 Installation Requirements.....	9
6.2 Electrical connection	9
6.2.1 AC Power supply and alarm connection (A1640).....	10
6.2.2 DC Power supply and alarm connection (A1641).....	10
6.2.3 Signals at back terminals.....	12
6.2.4 Connection of the following sensors.....	13
6.2.5 Looping the 4... 20 mA of S 215 to a PLC.....	13
7. Configuration	14
8. Operation	15
8.1 Description of display icons.....	15
8.2 Sensor setting.....	16
8.3 Alarm setting.....	16
8.4 System status and settings	16
8.5 Service setting	16
9. Signal input	16
9.1 Digital input	16
9.2 Analog input	16
10. Signal outputs.....	17
10.1 Alarm output	17
10.2 Interface	17
11. Optional extra accessories.....	17
12. Maintenance.....	17
13. Disposal or waste.....	17
14. Warranty.....	17

1. Safety instructions



Please check if this instruction manual accords to the product type.

Please observe all notes and instructions indicated in this manual. It contains essential information which have to be observed before and during installation, operation and maintenance. Therefore this instruction manual has to be read carefully by the technician as well as by the responsible user / qualified personnel.

This instruction manual has to be available at the operation site of the display at any time. In case of any obscurities or questions, regarding this manual or the product, please contact the manufacturer.



WARNING!

Compressed air!

Any contact with quickly escaping air or bursting parts of the compressed air system can lead to serious injuries or even death!

- Only use pressure tight installation material.
- Avoid that persons get hit escaping air or bursting parts of the instrument.
- The system must be pressureless during maintenance work.



WARNING!

Voltage used for supply!

Any contact with energized parts of the product, may lead to a electrical shock which can lead to serious injuries or even death!

- Consider all regulations for electrical installations.
- The system must be disconnected from any power supply during maintenance work.
- Any electrical work on the system is only allowed by authorized qualified personal.

**WARNING!****Permitted operating parameters!**

Observe the permitted operating parameters, any operation exceeding this parameters can lead to malfunctions and may lead to damage on the instrument or the system.

- Do not exceed the permitted operating parameters.
- Make sure the product is operated in its permitted limitations.
- Do not exceed or undercut the permitted storage and operation temperature and pressure.
- The product should be maintained and calibrated frequently, at least annually.

General safety instructions

- It is not allowed to use the product in explosive areas.
- Please observe the national regulations before/during installation and operation.

Remarks

- It is not allowed to disassemble the product.
- Always use spanner to mount the product properly.

**ATTENTION!****Measurement values can be affected by malfunction!**

The product must be installed properly and frequently maintained, otherwise it may lead to wrong measurement values, which can lead to wrong results.

Storage and transportation

- Make sure that the transportation temperature of the display is between -20°C ... 60°C .
- For transportation it is recommended to use the packaging which comes with the display.
- Please make sure that the storage temperature of the display is between -10°C ... 50°C .

- Avoid direct UV and solar radiation during storage.
- For the storage the humidity has to be <90%, no condensation.

2. Application

The S 320 display can display all relevant parameters (flow, dew point, pressure, temperature, power consumption, compressor status etc.) in a compressed air system.

The S 320 display and data logger is not developed to be used in explosive areas. For the use in explosive areas please contact the manufacturer.

The S 320 display and data logger is mainly used in compressed air systems in industrial environment.

3. Features

- Graphic display for easy user interface.
- Flexible power supply: 100 V... 240 VAC / 50... 60 Hz or 18... 30 VDC.
- 1 input for flow / dew point sensor.
- 1 input for analog sensors: 0... 20 mA, 4... 20 mA, 0... 10 V.
- 2 relay outputs for alarm.
- USB interface for configuration with S4C software.
- Wall or panel mountable casing.
- Optional alarm on display.

4. Technical Data

4.1 General

CE	
Operating temperature	0°C... 50°C
Housing material	ABS
Protection class	IP65
Dimensions	See dimensional drawing on the next page
Display	Graphic display, 220 x 140 pixels with back light
Interface	USB to PC
Keyboard	4 keys
Weight	0.52 kg

4.2 Electrical Data

Power supply	100... 240 VAC, 15 VA (option A1640) 18... 30 VDC, 15 VA (option A1641)
--------------	--

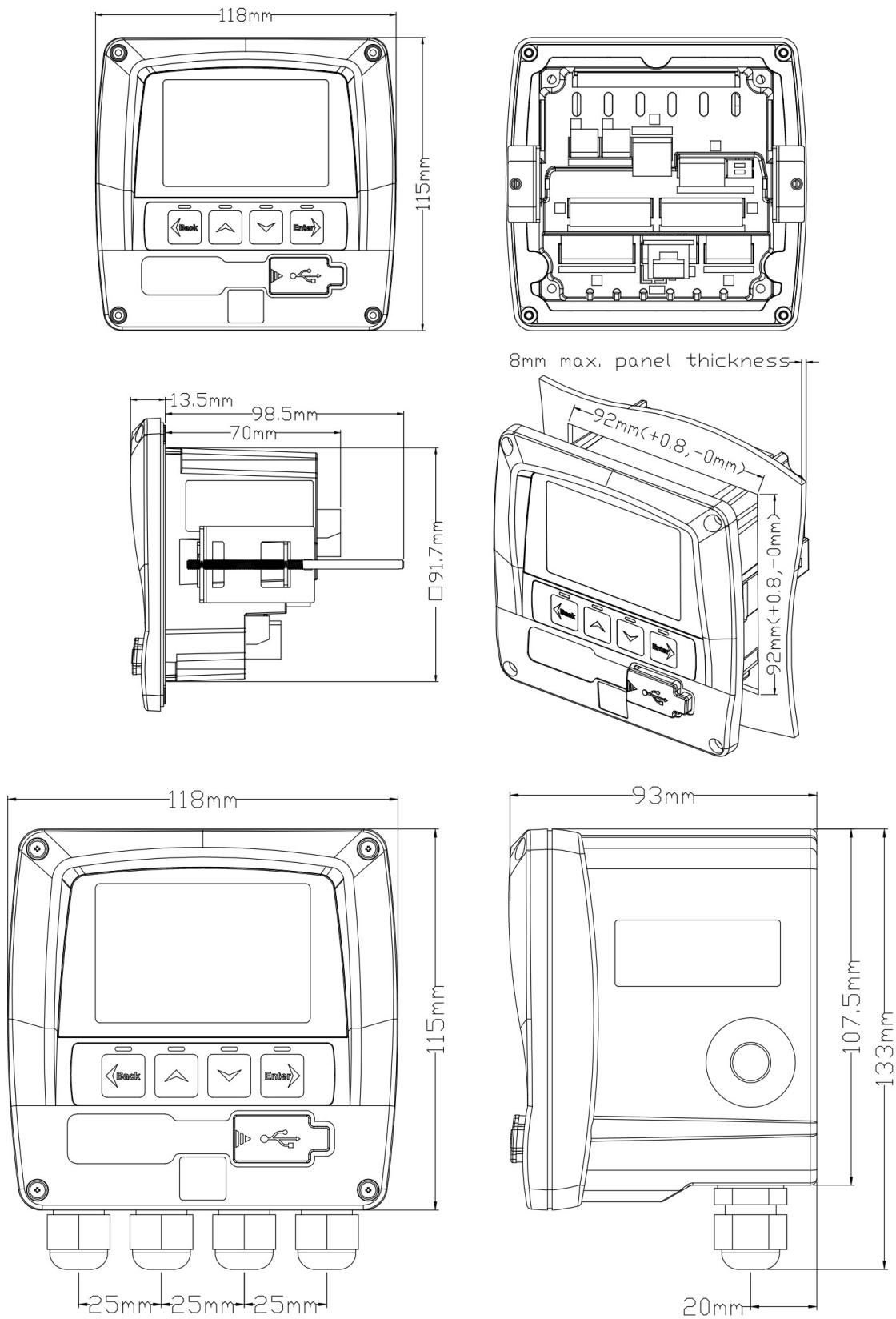
4.3 Input-Signals

Digital input	1 x SDI for dew point and flow sensors
Analog input	1 x 0... 20 mA or 1 x 4... 20 mA or 1 x 0... 10 V

4.4 Output-Signals

Alarm output	2 relays, 230 VAC, 3 A
--------------	------------------------

5. Dimensional drawing



6. Installation

Please make sure that all components listed below are included in your package.

Qty	Description	Item No.
1	S 320 Panel with ordered options and if ordered with casing	D500 0320
1	Instruction manual	No P/N

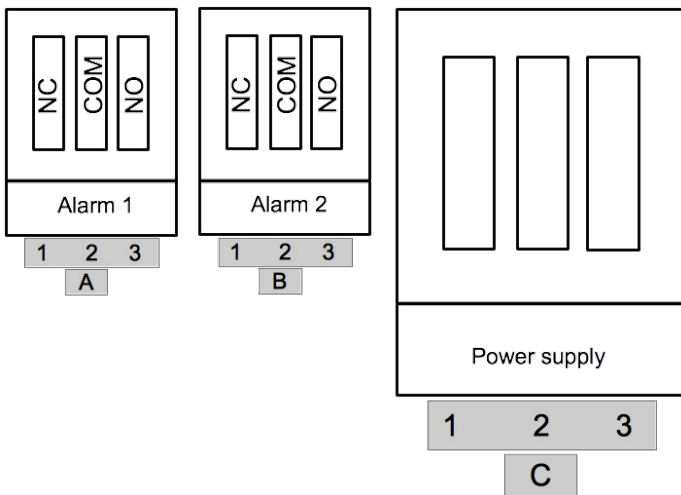
6.1 Installation Requirements

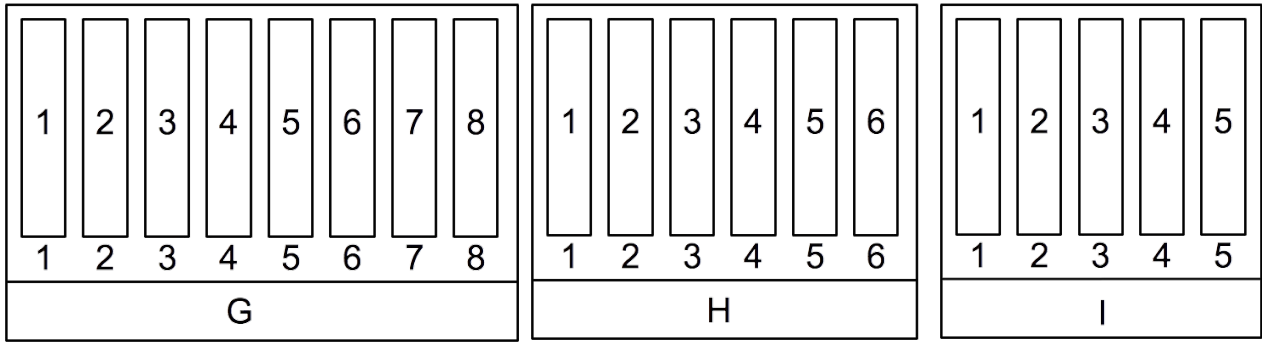
The instrument can either be mounted into a panel or if ordered with the optional wall casing on a wall. Please observe the drawings in chapter 5 for details. The housing of the S 320 must be fixed on the wall using suitable dowels and screws.

6.2 Electrical connection

Terminal block layout at back side

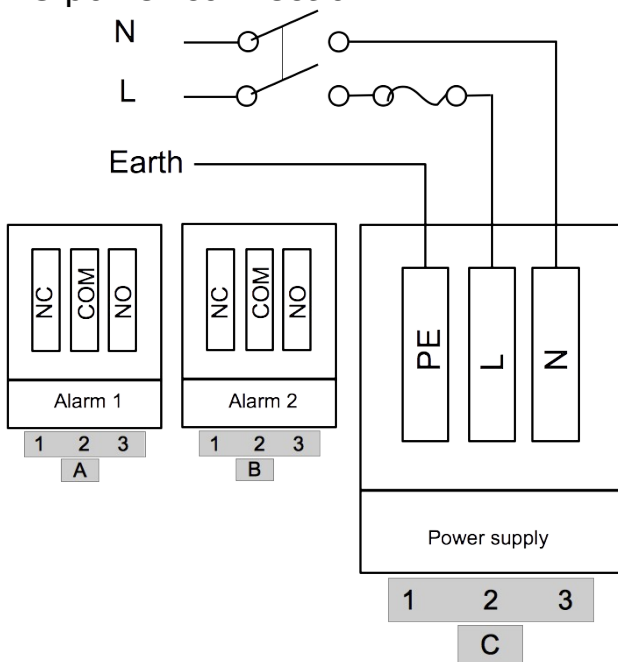
The following diagram is the terminal block layout at the S 320 back side.



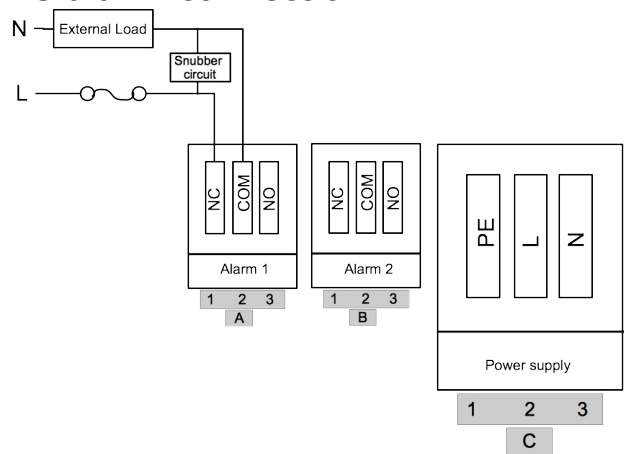


6.2.1 AC Power supply and alarm connection (A1640)

AC power connection:



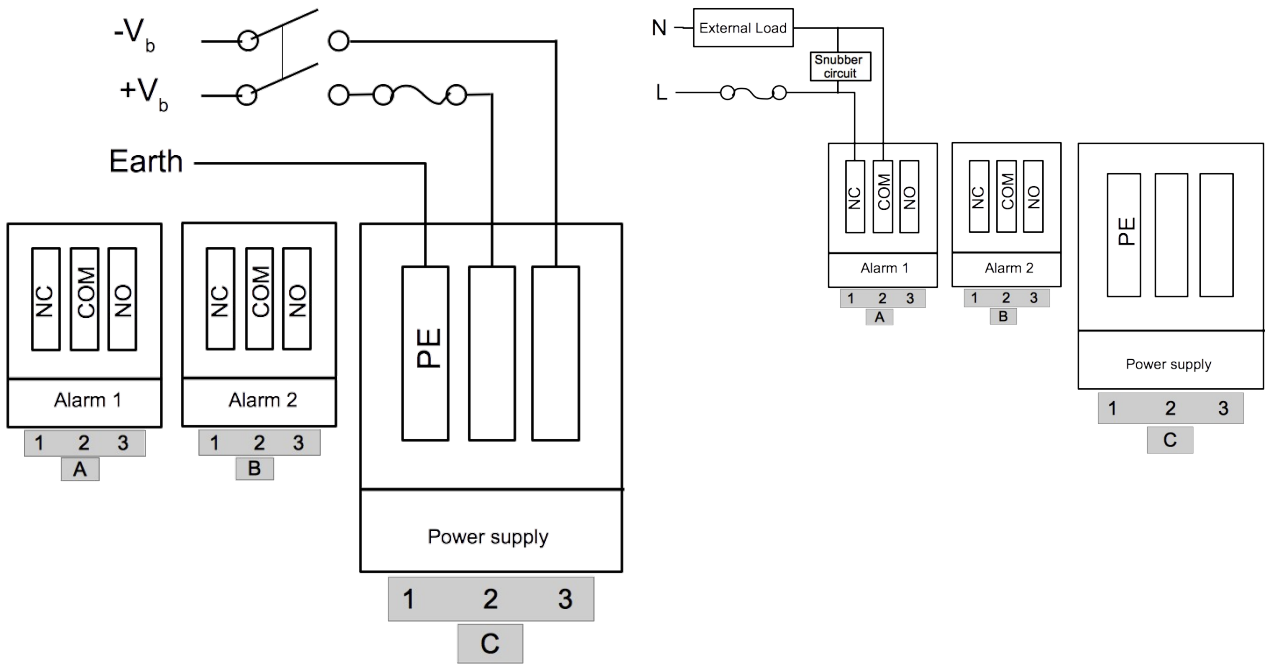
AC alarm connection:



6.2.2 DC Power supply and alarm connection (A1641)

DC power connection:

DC alarm connection:



6.2.3 Signals at back terminals

Terminal	Pin	Signal	Description
G	8	+V _b	Positive sensor supply
	7	-V _b	Negative sensor supply
	6	SDI	Digital communication signal from sensors
	5	Iin	4... 20 mA signal from sensor
	4	+P	Active pulse signal from flow sensor
	3	-V _b	Negative signal connection to PLC
	2	Iout	4... 20 mA signal to PLC
	1	-V _b	Negative signal connection to PLC
	H	6	-V _b
2		-V _b	Negative signal connection to PLC
4		-V _b	Negative signal connection to PLC
3		-V _b	Negative signal connection to PLC
2		Piso	Isolated pulse output pin 2, NO
1		Piso	Isolated pulse output pin 1, NO
I	5	+V _b	Positive analog sensor supply
	4	-V _b	Negative analog sensor supply
	3	+20 mA	Positive current input
	2	SGND	Signal ground (internally connected to -V _b of terminal I)
	1	+10 V	Positive voltage input

Remarks

- In order to use the isolated pulse output at terminal H its required to have the active pulse output of the flow sensor connected to terminal G, pin 4.
- 4... 20 mA signals from flow sensor or dew point sensors can be looped through the G terminal pin 5 + 2. The external device (PLC or mA-meter) negative signal is connected to pin 1.

- Analog sensors are connectable to terminal I.

6.2.4 Connection of the following sensors

S 320			S 400 / 420 /	S 450 / 452	S 201	S 220 / 212	S 215	Colour
Terminal	Pin	Signal	Pin	Pin	Pin	Pin	Pin	
G	8	+V _b	A.3	2	A.3	3	3	blue
	7	-V _b	A.2	3	A.2	2	2	white
	6	SDI	A.1	4	A.1	1	1	brown
	5	Iin	A.4		A.4	4		black
	4	+P	A.5					grey
	3	-V _b						
	2	Iout						
	1	-V _b						

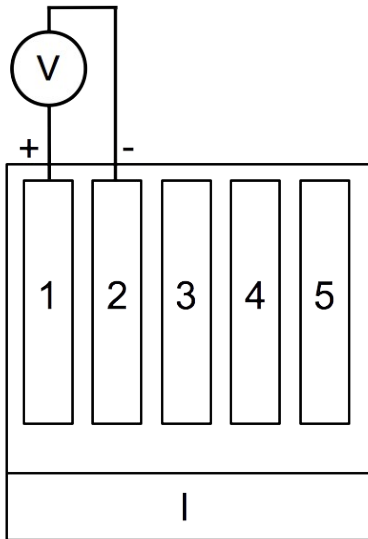
Remark

In case the 4... 20 mA signal of S 215 is to be looped to a PLC the connection in the next table should be used. The listed colour codes in the table above are for the sensor cables.

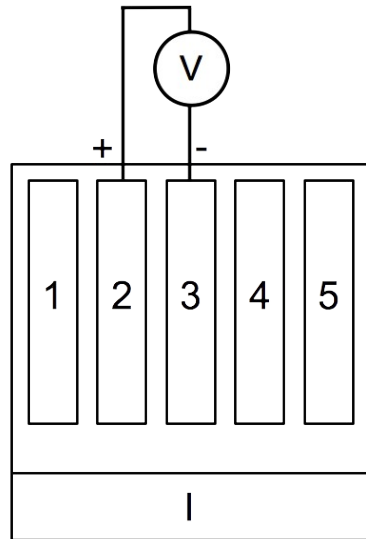
6.2.5 Looping the 4... 20 mA of S 215 to a PLC

S 320			S 215
Terminal	Pin	Signal	Pin
G	8	+V _b	+I of PLC
	7	-V _b	2 of S 215
	6	SDI	1 of S 215
	5	Iin	-I of PLC
	4	+P	
	3	-V _b	
	2	Iout	3 of s 215
	1	-V _b	

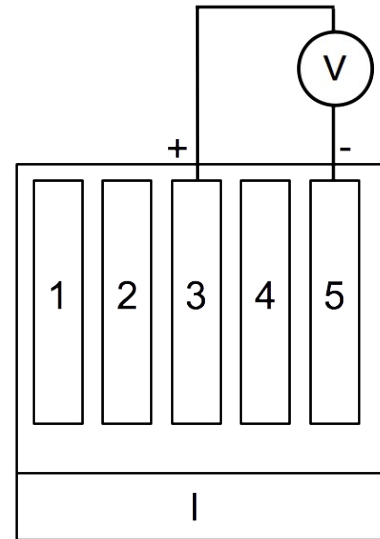
A. Process voltage
input 0... 1 V or 0... 10 V



B. Process current
input 0... 20 mA or 4... 20 mA



C. loop powered 4... 20 mA sensor with supply from S 320



7. Configuration

The S 320 is delivered with specific customer settings according to the order.

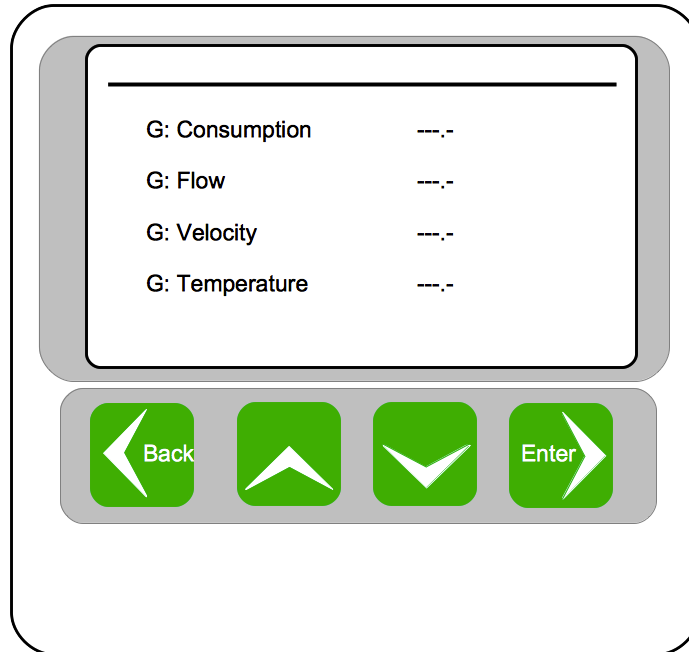
In order to simplify the user interface not all settings but most of it are accessible via the user interface, instead a PC software can be used. This software is called S4C which can be downloaded from the company web page.

To change certain or all settings by the user, S 320 can be connected to the PC via the USB interface. After starting S4C all device settings are accessible.




All settings are stored permanently inside of the S 320 and do not need to be entered again, unless the user wants some changes. Some setting for the dew point and flow sensor can also be done at the user interfacer of S 320.

8. Operation

8.1 Description of display icons



The display can illustrate different measurement values like shown in the graphic. Please use the buttons for changing settings.

	<ul style="list-style-type: none"> • Use this key to exit the current menu level. • Use it to leave all setting state without saving the change.
	<ul style="list-style-type: none"> • Use this keys to browse and select different items in menu and scroll through different pages of measurement value display. • Use this key to alter or adjust the setting option or numbering.
	<ul style="list-style-type: none"> • Use this key to enter to submenu or next menu level of the current selected menu item. • To confirm the setting change or enable an option in all setting state.

After pressing the enter button, different submenus can be selected. The particular submenus will be explained in the next chapters.

8.2 Sensor setting

After selecting "Sensors" the next screen will show which kind of sensors are programmed at which terminal. Changes can be done individually for each sensor, by selecting the terminal where the sensor is connected to.

8.3 Alarm setting

The S 320 has two alarm relay outputs. It is possible to set the value and the direction of the value for "Alarm 1" and "Alarm 2".

8.4 System status and settings

Please press the "System" button for the following submenus:

Device Info It will show different system information like device type, device serial number, firmware version, hardware version etc.

LCD Contrast Contrast of the display can be changed.

Reset In case sensors have been changed its recommended to use this function in order to update system settings.

Language Please choose the desired language.

8.5 Service setting

Contact information of service company can be set in this submenu.

9. Signal input

9.1 Digital input

The display has one sensor input for CS-iTEC flow / dew point sensor.

9.2 Analog input

The display has one analog input for CS-iTEC pressure / temperature sensor or further sensors (0... 20 mA / 4... 20 mA / 0... 10 V).

10. Signal outputs

10.1 Alarm output

The display has two alarm relay outputs (230 VAC, 3 A).

10.2 Interface

The data can be transmitted via USB port to a data collection system or software.

11. Optional extra accessories

The following extra accessories are optional:

- Sensor cable 5 m with M12 connector, open wire.
- Sensor cable 10 m with M12 connector, open wire.
- Power cable with mains plug, 1.8 m.

12. Maintenance

To clean the sensor and its accessories it is recommended to use moist cloth only.



ATTENTION!

Do not use isopropyl alcohol to clean the display!

13. Disposal or waste

Electronic devices are recyclable material and do not belong in the household waste.

The sensor, the accessories and its packings must be disposed according to your local statutory requirements. The dispose can also be carried by the manufacturer of the product, for this please contact the manufacturer.

14. Warranty

CS-iTEC provides a warranty for this product of 24 months covering the material and workmanship under the stated operating conditions from the date of delivery. Please report any findings immediately and within the warranty time. If faults occurring during the warranty time CS-iTEC

will repair or replace the defective unit, without charge for labour and material costs but there is a charge for other service such as transport and packing costs.

Excluded from this warranty is:

- Damage caused by:
 - Improper use and non-adherence to the instruction manual.
 - Use of unsuitable accessories.
 - External influences (e.g. damage caused by vibration, damage during transportation, excess heat or moisture).

The warranty is cancelled:

- If the user opens the measurement instrument without a direct request written in this instruction manual.
- If repairs or modifications are undertaken by third parties or unauthorised persons.
- If the serial number has been changed, damaged or removed.

Other claims, especially those for damage occurring outside the instrument are not included unless responsibility is legally binding.

Warranty repairs do not extend the period of warranty.



ATTENTION!

Batteries have a reduced warranty time of 12 month.

SUTO iTEC GmbH

Werkstr. 2
79426 Buggingen
Germany

Tel: +49 (0) 7631 936889-0
Fax: +49 (0) 7631 936889-19
Email: sales@suto-itec.com
Website: <http://www.suto-itec.com>

CS-iTEC Co., Ltd.

Room 10, 6/F, Block B, Cambridge Plaza
188 San Wan Road, Sheung Shui, N.T.
Hong Kong

Tel: +86 (0) 755 8619 3164
Fax: +86 (0) 755 8619 3165
Email: sales@cs-itec.asia
Website: <http://www.cs-itec.com>